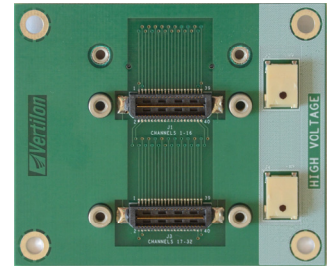


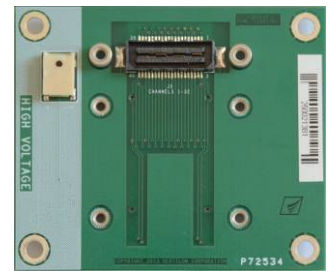
Description

The SIB1632 is a simple accessory that combines the PMT signals from two Vertilon 16 channel Sensor Interface Boards (SIB) onto a single 32 channel output SIB connector. The connector conforms to Vertilon's standard, low-noise, multi-channel, cable interconnection system. It mates to a micro-coaxial cable assembly that connects 32 PMT outputs to a PhotoniQ multichannel data acquisition system. The SIB1632 also provides the high voltage connectivity to the sensor interface boards by splitting the high voltage output from the PhotoniQ into two separate connectors. In this way, one high voltage power supply can be used to bias two separate PMTs.

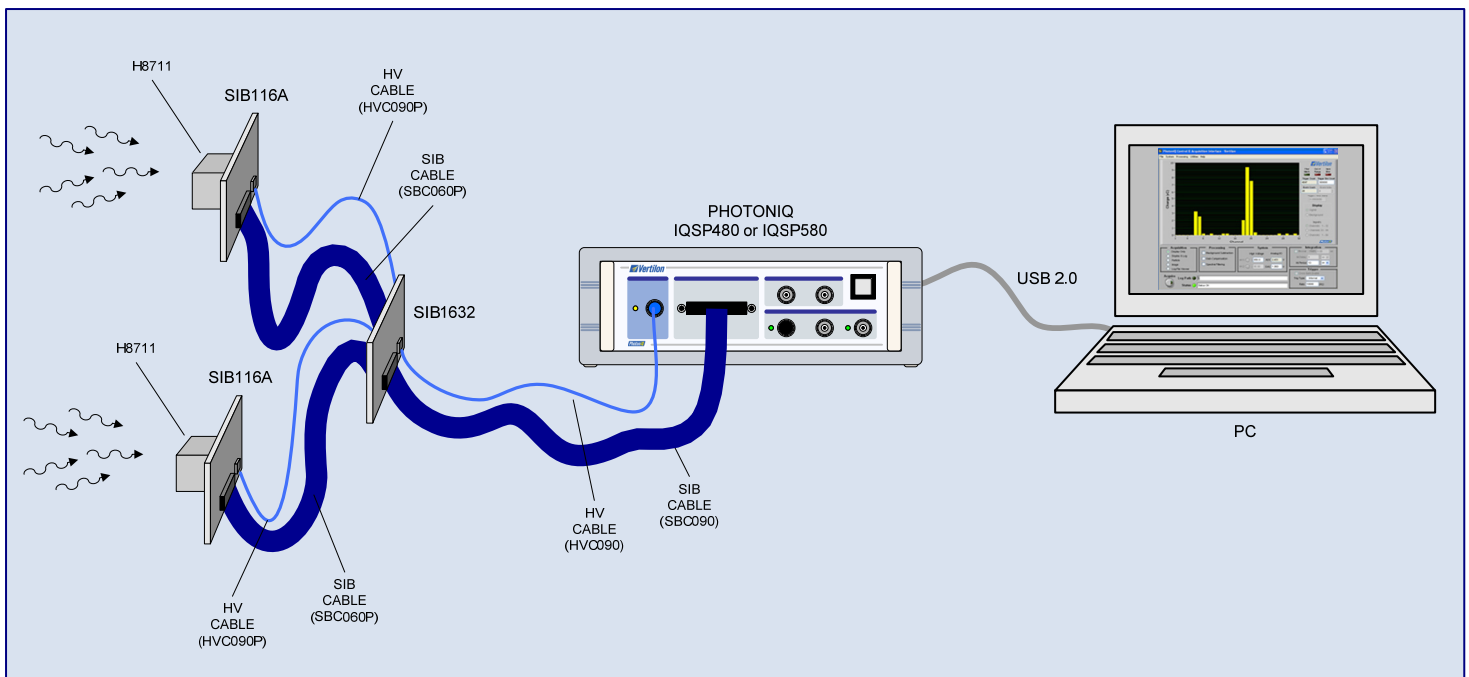
TOP SIDE



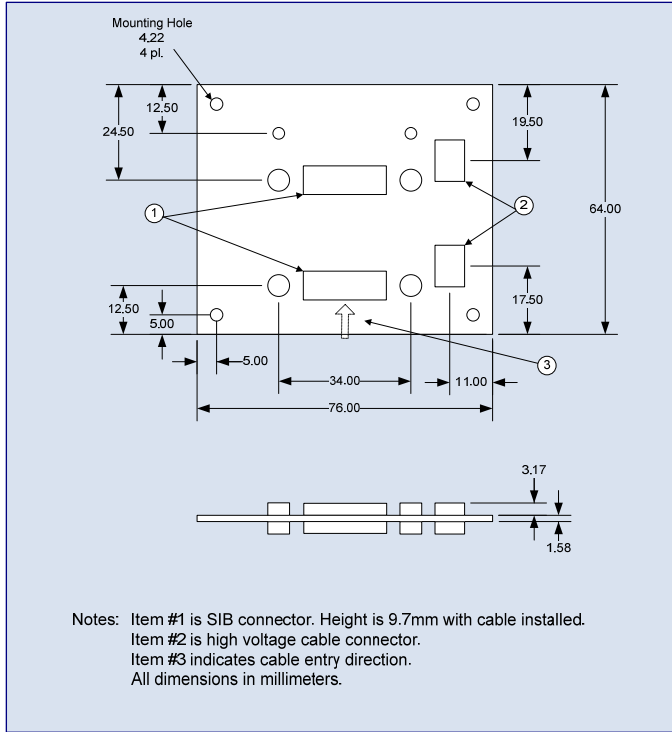
BOTTOM SIDE



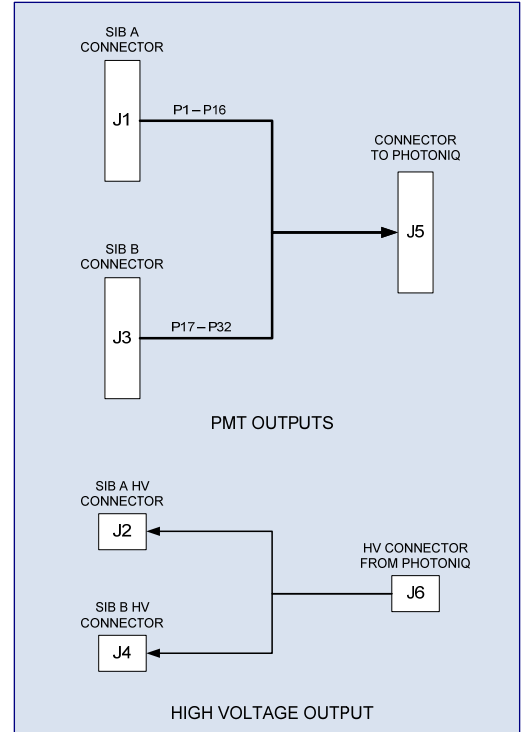
Typical Setup



Mechanical Data



Electrical Data



General Safety Precautions

Warning: HIGH VOLTAGES – Voltages can exceed 2000V

Operate device within specified range

Electrostatic discharge sensitive

Do not operate in wet, damp or explosive atmosphere

See sensor data sheets for specific handling information

SIB Connector Pinout

#	NAME	#	NAME
1	VB	2	HVMON
3	SIB_DIN	4	SIB_CLK
5	P16	6	P32
7	P15	8	P31
9	P14	10	P30
11	P13	12	P29
13	P12	14	P28
15	P11	16	P27
17	P10	18	P26
19	P9	20	P25
21	P8	22	P24
23	P7	24	P23
25	P6	26	P22
27	P5	28	P21
29	P4	30	P20
31	P3	32	P19
33	P2	34	P18
35	P1	36	P17
37	SIB_DOUT	38	SIB_NCS
39	SIBDAC	40	+5V

Pins 1, 2, 3, 4, 37, 38, 39 and 40 reserved for PhotoniQ and should be left unconnected if PhotoniQ is not used
Ground supplied through SIB cable shielding



Vertilon Corporation has made every attempt to ensure that the information in this document is accurate and complete. Vertilon assumes no liability for errors or for any incidental, consequential, indirect, or special damages including, without limitation, loss of use, loss or alteration of data, delays, lost profits or savings, arising from the use of this document or the products which it accompanies. Vertilon reserves the right to change its products without prior notice. No responsibility is assumed by Vertilon for any infringements of patents or other rights of third parties which may result from the use of its products. No license is granted by implication or otherwise under the patent and proprietary information rights of Vertilon Corporation.

© 2013 Vertilon Corporation, ALL RIGHTS RESERVED

PS2730.1.0 Jun 2013

Vertilon Corporation, 66 Tadmuck Road, Westford, MA 01886 / Tel: (978) 692-7070 / Fax: (978) 692-7010 / www.vertilon.com